

ELECTRONIC VISIONS, INC.

Model EVI-CDL CONSOLE - DIAGNOSTIC - LOADER

EVI-CDL

The Console Diagnostic Loader (EVI-CDL) is an Electronic Visions, Inc. software product which provides a replacement to MODCOMP's Model 4513 Paper Tape Reader (PTR). The PC-AT based processor system is connected as a peripheral device to a MODCOMP host computer via an RS-232C Console Controller. EVI-CDL is supported as a paper tape reader device with the MODCOMP Console handler. The EVI-CDL software will operate in any PC-AT configuration (286, 386 or 486).

The EVI-CDL offers an economical means for loading programs and data into the MODCOMP at 19.2kb per second. The product provides Fillable, SAL loadable and DAX menus for selection and loading of standard MODCOMP Diagnostics. The Backup function is performed via Standard DOS file copy command.

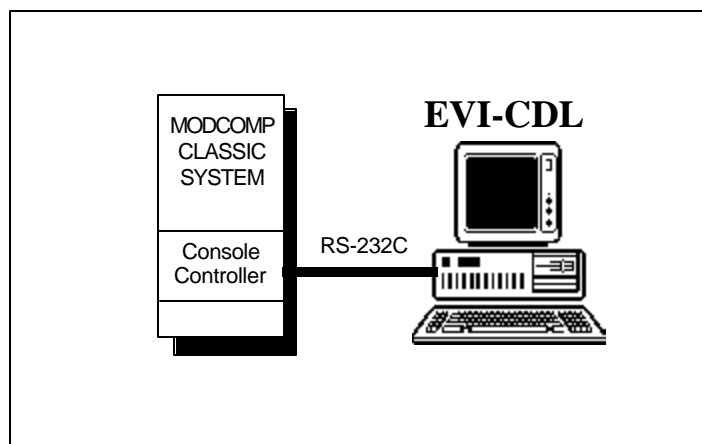


Figure 1, Typical EVI-CDL Configuration

FEATURES :

- Utilizes PC-AT hardware technology for low cost, high reliability and transportability (PC-Notebook)
- MODCOMP II/IV/Classic Diagnostic/Utility Load Device (Fillable, SAL and DAX Relocatable).
- Non DMP Diagnostic load device.
- Menu Selection for loading Diagnostics.
- TTY terminal replacment and data logging to disk.
- Satellite System OS loading & remote Diagnostics.
- Standard MODCOMP Selectable Baud Rates.
- Selectable Parity Checking (Even, Odd, None).
- Replaces obsolete hardware (PTR).
- Color configuration for menu and text displays.
- User supplied Custom diagnostic and OS loading.

Online Help :

- F1 - Help Menu.
- F2 - Fillable Diagnostic Menu
- F3 - Stand Alone Linking Loader (SAL) Menu
- F4 - Diagnostic Applications Executive DAX Menu
- F8 - Activate/Deactivate terminal logging to the local disk (SESSION.LOG)
- F10 - Exit from EVI-CDL, to DOS

Configuration :

Is supported by a standard ASCII file (CDL.INI).

- Port=x Communication Port (Com-1/Com-2)
- Baud=xxx Baud rates (175 to 19200)
- Parity=x Channel parity (E, O, N, M or Space)
- FBD=xxx Delay between each data block for variations in CPU and Memory speeds.

Color selection is via standard PC attribute byte

- Text=0x02 Menu=0x1F MenuBar=0x71
- Error=0x4E Button=0x4F Clock=0x1B
- Message=0x5F

SOFTWARE (PREREQUISITES)

Standard MODCOMP TY Handler
MAX IV/MAX 32 OS
PC-AT DOS

Compatible Console Controllers

3767	Classic Console Controller.
4804	Quad Channel Interface Controller with the console port interface enabled.
4850	Multifunction Controller with a 4851-xx RS-232C Port Option interface.
5927	Classic High speed serial link.
3765	Classic Console Disk Controller.
375X	MODCOMP Console/Paper Tape Cont.

HARDWARE (PREREQUISITES)

MODCOMP System
TTY Controller
Cabling to connect to EVI-CDL
PC-AT System 286, 386 or 486 with hard drive,
floppy, RS-232C Comm Port and CRT / Keyboard

Model Numbers And Descriptions

CDL-1	Software only.
CDL-2	Software with PC-AT in a Low Profile 19" rack mounted enclosure. (Height: 4.25")
CDL-3	Software with PC-AT in a Desk Top or Mini Tower case.
CDL-4	Software with PC-AT Notebook configuration.

Physical Characteristics

CDL-2	PC-AT in a Low Profile 19" rack mounted enclosure.
Height:	4.25 in.
Depth:	16 in.
Width:	19 in.
Weight:	15 lbs.

Electronic Visions, Inc's products are of the highest quality and designed with the customers needs in mind. All products are delivered with a one year, return to factory warranty.

If you would like more information on this or any of the other products offered by Electronic Visions, Inc. please contact us at any of our offices listed.

World Headquarters

Electronic Visions, Inc.
1555 Magnolia St NE
Palm Bay, FL 32905
Voice: (321) 632-7530
<http://www.e-visions.com>