

ELECTRONIC VISIONS, INC.

Model VCS-100 VIDEO CAPTURE & HARD COPY SYSTEM

VCS-100

The Video Capture & hard copy System (VCS) allows RGB video input signals to be displayed in real time, captured, saved or printed.

The VCS uses the standard RGB signal input to generate the real time SVGA image under Windows 3.X or Windows NT. The VCS will display in parallel the RGB image or can be used to replace the existing RGB monitor. The image can then be saved or printed to a hard copy device (HP660c Inkjet printer or compatible).

FEATURES

RGB

PRINT allows image to be printed

SVGA 2MB DRAM supports up to 1280 x 1024

RGB Image Scaling/Zoom

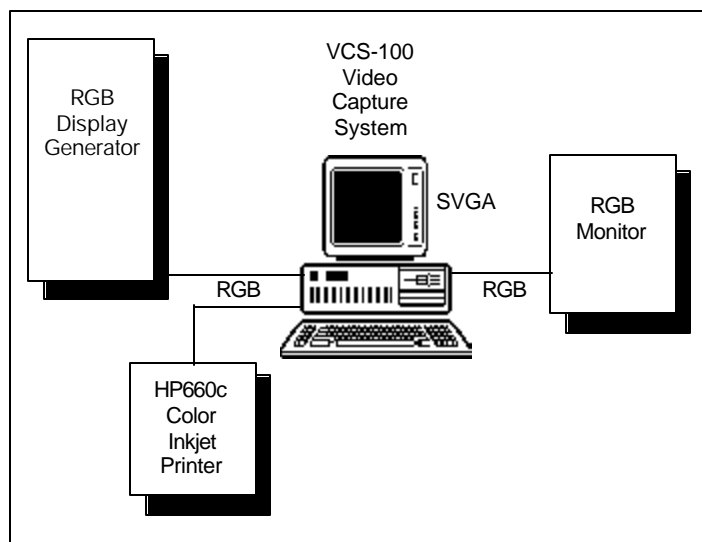


Figure 1, Typical VCS-100 Configuration

SAVE allows image to be saved

SAVE/PRINT allows image to be saved and printed

DESCRIPTION

The VCS provides for True Color Frame Capture of Standard RGB signals. The SVGA 2MB video card offers Shared Frame Buffer Design. This allows the application to freeze frame the video to be saved to disk or printed. RGB image Scaling/Zoom provides for real time smooth interpolated scaling of the RGB input video. Variable size Video in Window, to full input RGB resolution, is also supported. This allows the operator to view video in real time while other WINDOWS applications are running. The Print feature allows the image captured to be printed to a local or remote printer. The Save feature allows the image captured to be saved to a local or remote disk while the Save/Print feature allows the image captured to be saved and then printed.

SOFTWARE (SUPPLIED)

VCS-100:

DOS, Windows 3.X or Windows NT
VCS Application Software with Drivers

HARDWARE (SUPPLIED)

VCS-100:

Industrial computer equipped with an VCS-100 interface card.
HP 660C Inkjet Printer.

SOFTWARE (PREREQUISITES)

None

HARDWARE (PREREQUISITES)

RGB Display Generator

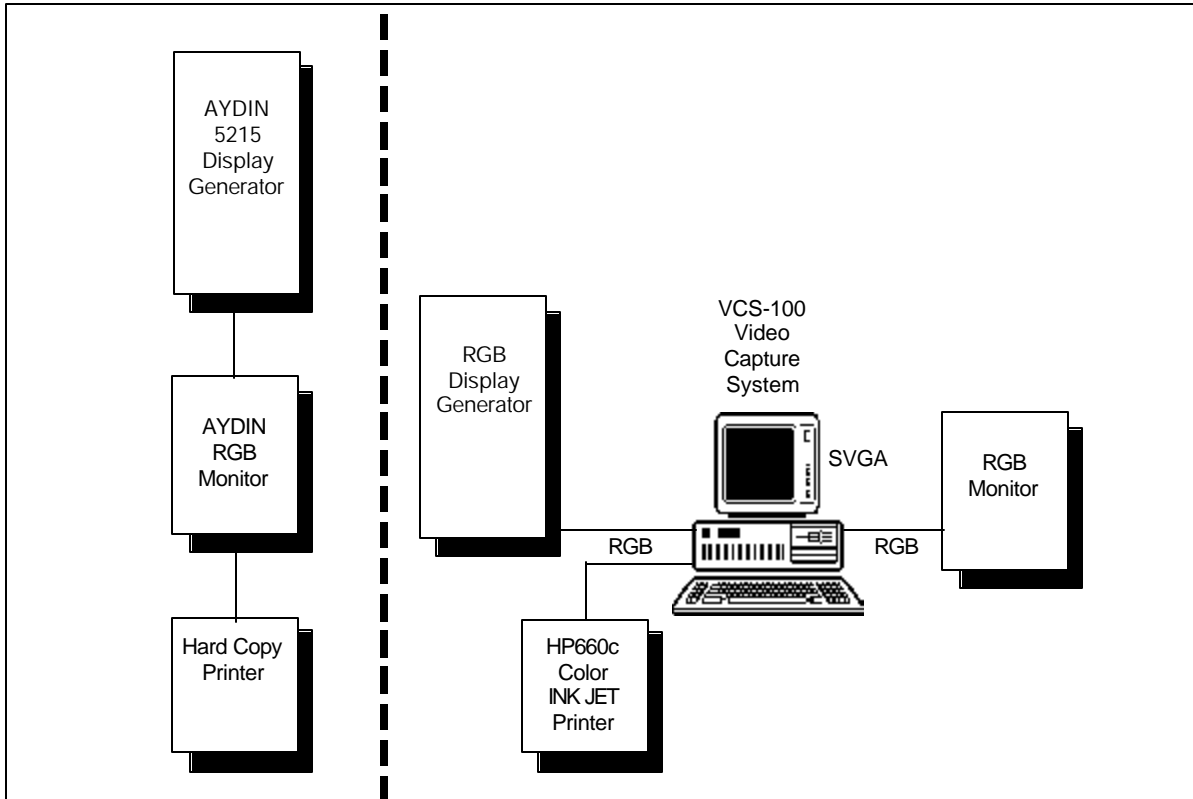


Figure 2, Typical Display System replacment

Electronic Visions, Inc's products are of the highest quality and designed with the customers needs in mind. If the configuration listed does not meet the specific requirments, a system can be configured to the desired specification. All products are delivered with a one year, return to factory warranty.

If you would like more information on this or any of the other products offered by Electronic Visions, Inc., please contact us at any of our offices listed.

World Headquarters

Electronic Visions, Inc.
1555 Magnolia St NE
Palm Bay, FL 32905
Voice: (321) 632-7530
<http://www.e-visions.com>

HP-660c is a trademark of HP
AYDIN is a trademark of AYDIN Controls
VCS-100 is a trademark of Electronic Visions, Inc.