

ELECTRONIC VISIONS, INC.

Model VCS-200 VIDEO CAPTURE & HARD COPY SYSTEM

VCS-200

The Video Capture & hard copy System (VCS) allows composite video input signals to be displayed in real time, captured and printed.

The VCS uses the standard Composite video signal input to generate the real time SVGA image under Windows 3.X. The VCS will display in parallel the Composite video image or can be used to replace the existing composite monitor. The image can then be printed to a hard copy device (Inkjet printer or compatible).

FEATURES

- Composite Video Input
- Hard copy replacment up to 4 units
- Multy port composite video (4)

DESCRIPTION

The VCS provides for Composite Frame Capture of Standard Mono signals. The VCS card offers Shared Frame Buffer Design. This allows the application to freeze frame the video to be printed. Composite image Scaling/Zoom provides for real time smooth interpolated scaling of the Composite input video. Variable size Video in Window, to full input composite resolution, is also supported. This allows the operator to view video in real time while other WINDOWS applications are running. The Print feature allows the image captured to be printed to a local or remote printer.

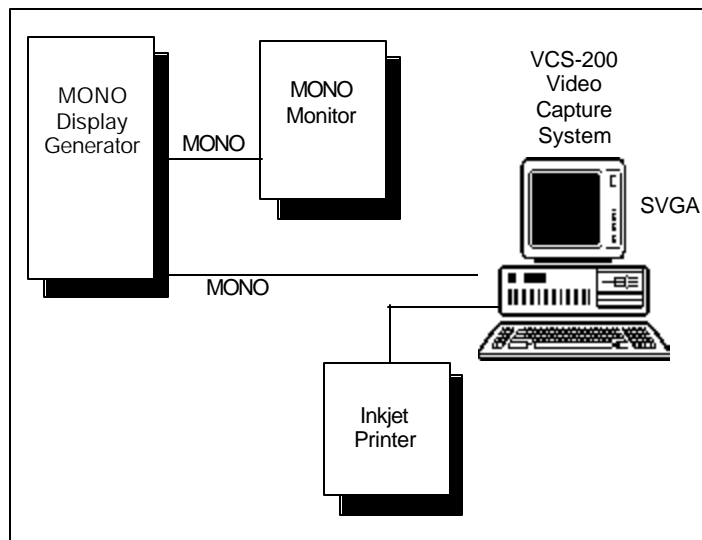


Figure 1, Typical VCS-200 Configuration

SOFTWARE (SUPPLIED)

VCS-200:

VCS Application Software with Drivers

HARDWARE (SUPPLIED)

VCS-200:

VCS-200 interface card.
Interface cables.

SOFTWARE (PREREQUISITES)

Dos, Windows 3.X

HARDWARE (PREREQUISITES)

MONO Display Generator

Industrial computer 486DX2/66, 1mb SVGA

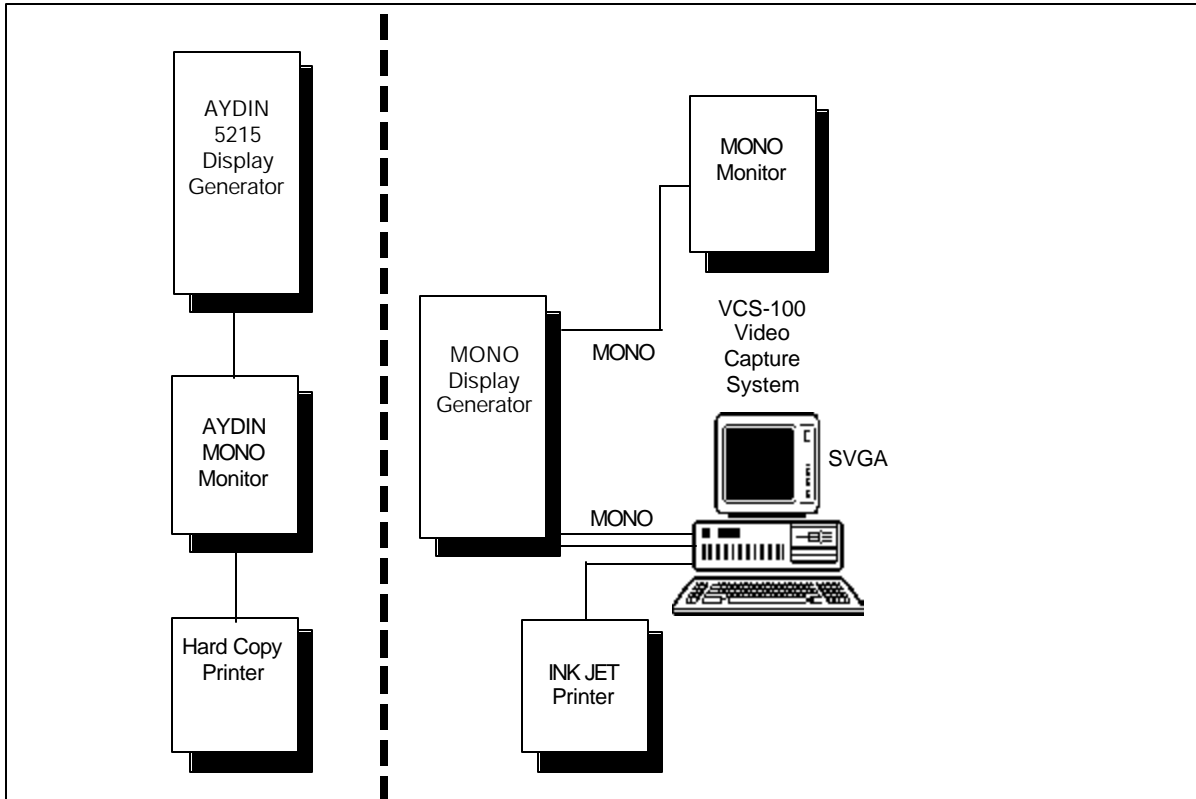


Figure 2, Typical Display System replacment

Electronic Visions, Inc's products are of the highest quality and designed with the customers needs in mind. If the configuration listed does not meet the specific requirments, a system can be configured to the desired specification. All products are delivered with a one year, return to factory warranty.

If you would like more information on this or any of the other products offered by Electronic Visions, Inc., please contact us at any of our offices listed.

World Headquarters

Electronic Visions, Inc.
1555 Magnolia St NE
Palm Bay, FL 32905
Voice: (321) 632-7530
<http://www.e-visions.com>

HP-660c is a trademark of HP
AYDIN is a trademark of AYDIN Controls
VCS-100 is a trademark of Electronic Visions, Inc.