

ELECTRONIC VISIONS, INC.

Model MRN-150 MESSAGE ROUTING NODE

MRN-150

The Message Routing Node (MRN) is an Electronic Visions, Inc. product which allows a MODCOMP computer to participate in a DECnet LAN or WAN environment.

The MRN uses the 802.3/Ethernet Multivendor LAN Standard, and Digital's Local Area Networks are 802.3/Ethernet based. This will provide, modular growth, which enables you to expand your computing resources. The MRN is flexible enough to accommodate a variety of industry standards (ISO or DNA).

The MRN provides DECnet task to task communication. A task on the MODCOMP can communicate with a task executing on a processor connected to the Ethernet LAN. The MODCOMP task can participate in either a server or client mode. This will allow binary file to file transfer of data between the MODCOMP and any task on the LAN.

The MRN will support up to fifteen concurrent connections to any accessible task on the DECnet LAN. This will allow task communications between two end nodes, two MRN-150's or an MRN-150 and a PC. If the LAN has a routing node the MRN can connect to any node on the LAN.

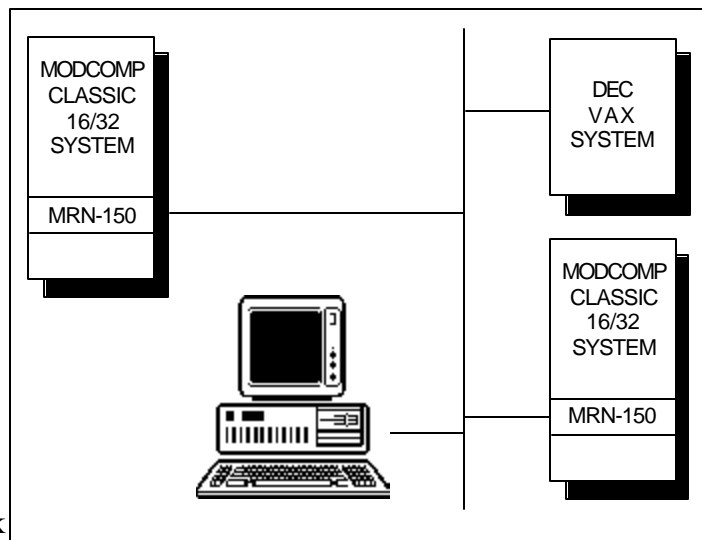


Figure 1, Typical MRN Configuration

SOFTWARE (SUPPLIED)

MODCOMP:

- MRN Symbiont (16 or 32 bit)
- Interface Routines (FORTRAN)

MRN-150:

- Firmware
- Software

HARDWARE (SUPPLIED)

MRN-150:

- Rack-mountable industrial computer equipped with an EVI 5316 interface card and a MODCOMP bus interface.

SOFTWARE (PREREQUISITES)

Standard MODCOMP 4805 Handler
(MAX IV/MAX 32)
DECnet-VAX Software with license
VAX/VMS Services for MS-DOS
DECnet/PCSA Client Software

HARDWARE (PREREQUISITES)

MODCOMP 16 or 32 Bit System
Ethernet card for the MRN-150 with single-use
license for DECnet/PCSA Client Software
Cabling to connect to VAX
VAX System supporting DECnet

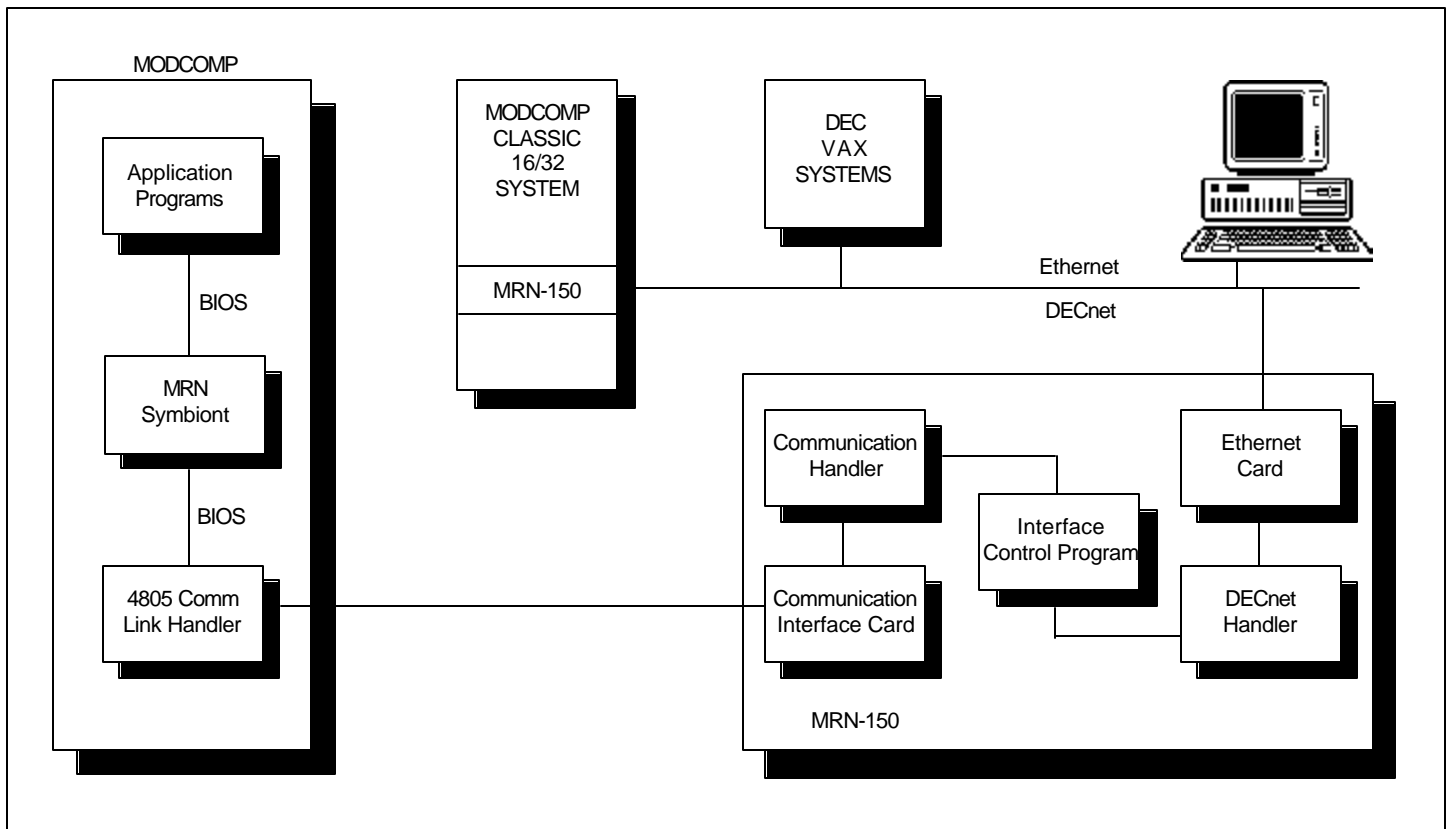


Figure 2, MRN Data Routing

Electronic Visions, Inc's products are of the highest quality and designed with the customers needs in mind. All products are delivered with a one year, return to factory warranty.

If you would like more information on this or any of the other products offered by Electronic Visions, Inc. please contact us at any of our offices listed.

World Headquarters

Electronic Visions, Inc.
1555 Magnolia St NE
Palm Bay, FL 32905
Voice: (321) 632-7530
<http://www.e-visions.com>

MODCOMP and CLASSIC are registered trademarks of Modular Computer Systems, Inc.
MAX IV and MAX 32 are trademarks of Modular Computer Systems, Inc.
DEC, VAX, DECnet, and DECnet-DOS are trademarks of Digital Equipment Corporation.
PC-AT is a trademark of International Business Machines Corporation.
MRN-150 is a trademark of Electronic Visions, Inc.